

# Classico CL-4 Loudspeakers



## Owner's Manual



[www.roundsound.com](http://www.roundsound.com)

Anthony Gallo Acoustics, 20841 Prairie Street, Chatsworth, CA 91311 USA  
Phone (818) 341-4488 • Fax (818) 341-2188

# Contents

<b>Introduction</b> .....	1
Welcome to Anthony Gallo Acoustics .....	1
Proprietary AGA Technology .....	2
General Guidelines for Placing Your Classico CL-4s.....	4
<b>Installation</b> .....	8
Unpacking and Inspection .....	8
Additional Items Required for Installation .....	8
Attaching the Grilles.....	8
Connecting Your Classico CL-4s .....	9
<b>Speaker Settings in a Surround Sound Receiver or Processor</b> .....	10
Surround Sound Receiver or Processor Speaker Settings .....	10
Breaking In Your CL-4s .....	12
Enjoy! .....	12
<b>Classico CL-4 Specifications</b> .....	13
<b>Warranty and Extended Service Agreement</b> .....	14
Statement of Warranty: Anthony Gallo Acoustics Limited Warranty..	14
<b>Service</b> .....	15

## Copyright Information

Copyright © 2011 Anthony Gallo Acoustics. All rights reserved.

This material may not be reproduced or copied, in whole or in part, without the written permission of Anthony Gallo Acoustics.

# Introduction

Welcome! We've worked hard to fill this manual with useful and helpful information. If you'll take a few minutes to read through it, the result will be easier system set up and better in-room sonic performance. It'll also help acquaint you with several unique features Anthony Gallo Acoustics Classico speakers offer that typical loudspeakers don't. And once you're done reading, if you have any questions about your new Classico CL-4 speakers don't hesitate to contact your local Anthony Gallo Acoustics dealer. Or, if you wish, you can call us directly at 1-818-341-4488 or e-mail [techsupport@roundsound.com](mailto:techsupport@roundsound.com).

## Welcome to Anthony Gallo Acoustics

Thank you for purchasing Anthony Gallo Acoustics (AGA) loudspeakers. Since we first started designing speakers in 1994, we have continually invested in advanced engineering, modeling, and testing to ensure that AGA speakers deliver outstanding performance and value throughout the range. We hope you, like so many industry reviewers, will be thrilled with the quality of sound that your new AGA speakers deliver.

This manual is for the Classico CL-4. The Classico line includes two compact bookshelf systems (CL-1 and CL-2), two floor standing models (CL-3 and CL-4), a horizontal center channel (CL-C), and two matching subwoofers (CLS-10 and CLS-12). Therefore, you can set up anything from a pure stereo system to various multi-channel surround sound systems using voice-matched Classico models. No matter whether you're setting up an audio-centric stereo listening room or a surround sound media system, AGA's Classico Series will enhance your listening and viewing experience.

## Proprietary AGA Technology

The Classico Series was designed from the outset to deliver the exceptional performance AGA has become famous for while presenting a more traditional look. This makes it easy to incorporate our Classico series in practically any environment.

All of the technology used in AGA products was specifically developed by Anthony Gallo and cannot be found in any other loudspeakers. These technologies contribute to an enhanced level of clarity, precision, and dynamic range not found in other speakers anywhere near the CL-4's price.

**Backwave Linearization and Synchronization Technology (BLAST):** AGA's newest technology is the implementation of the BLAST System. Benefits of the BLAST system include an improved acoustic impedance match between the woofer/midrange driver and the air within the enclosure, which simply stated, allows the speaker to play louder, deliver exceptional bass, and perform overall like a speaker many times its size. Using our engineering resources, we've been able to achieve this performance advance without requiring more power from the amplifier! The BLAST system incorporates an enhanced version of our S2™ technology that is strategically placed within a modified transmission line.

**Enhanced S2 with our Modified Transmission Line:** In essence, our patented S2 technology tricks the Classico's precision woofers into performing as though they're in significantly larger enclosures. The combination of the S2 technology and our modified transmission line creates a speaker that sounds much larger than its actual size and delivers real-life impact without ever sounding muddy.

**Optimized Pulse Technology™ (OPT) Level 2:** Wooden enclosures like the ones incorporated in the Classico Series are not as rigid as the metal enclosures used in our Reference Series products. Due to this disparity, the original OPT Level 1 system would not have worked properly. However, we were able to develop OPT Level 2, which applies a dielectric absorption countermeasure to eliminate sonic degradation from static charges that typically build up on speaker wires and within the speaker itself.

**CDT 3™ Tweeter:** The Classico CL-4 uses our patented CDT Cylindrical Diaphragm Transducer (CDT 3) for high-frequency reproduction. On its own, the CDT 3, with its cylindrically shaped high-frequency diaphragm, delivers smooth treble response across an amazing 300-degree range! Once it's built into the Classico models, it provides a full 180° high-frequency dispersion pattern (3 kHz - 21.5 kHz) (Figure 1). This allows substantial positioning flexibility, since consistent high-frequency response is delivered both on and off-axis. That means soundstaging and imaging are enhanced while there'll be more "good seats" in your listening room, so more people will hear all the sound, particularly important in a surround sound setup.

For more information on Gallo design and technology, please go to [www.roundsound.com](http://www.roundsound.com).

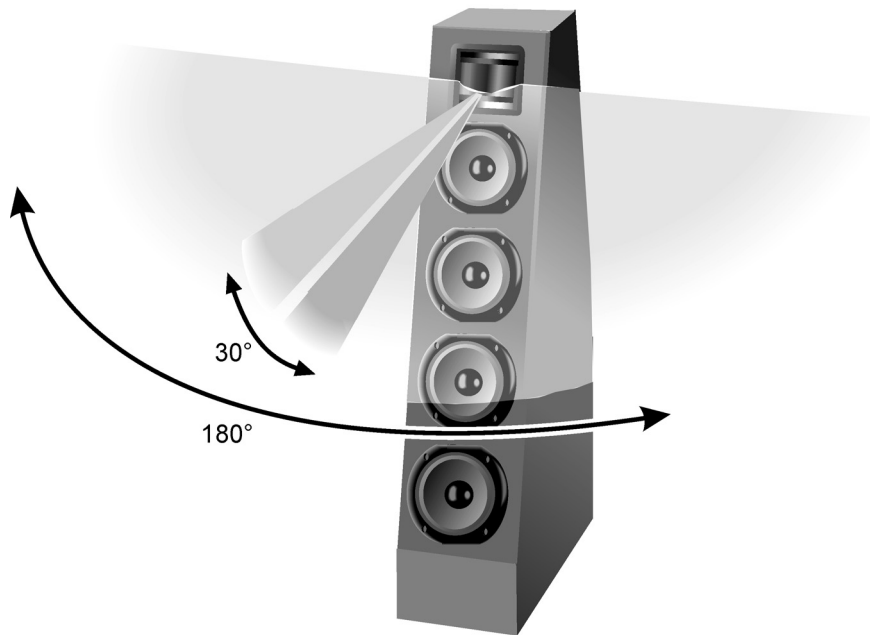


Figure 1. Dispersion Pattern of the CDT<sub>3</sub> Tweeter

## General Guidelines for Placing Your Classico CL-4s

**Note:** The following positioning instructions are meant to be only a guideline for your CL-4 placement. Once your Classico CL-4s are properly broken in, they should perform to your satisfaction. If not, however, please refer to these simple placement guidelines for some helpful tips. No matter which placement option you choose, please keep the Classico CL-4 at least eight inches from the wall or surface behind it.

**Placement:** Your Classico CL-4s should be placed on the floor, sitting on the isolating gel pads provided. Ensure that the speakers and associated wiring are located and placed in a manner that maximizes stability and safety. Even if you're placing the Classico CL-4 on a carpet, we recommend using the gel pads (one under each corner) to further isolate the speakers from the floor.

**Sonics:** If achieving maximum bass and sonic warmth is your goal, place your Classico CL-4s close to a wall or other large surface (no more than a foot or two away). Note that positioning them further out from the walls may deliver better imaging and a somewhat leaner response in most rooms. Positioning your speakers at different distances from the side wall in relation to the wall behind them should help control acoustic anomalies. In any case, as noted above, please keep them a minimum of eight inches from the wall behind them.

If the setting lends itself, try positioning the left and right front speakers at the opposite ends of the base of an equilateral triangle whose tip is at the prime listening position (Figure 2). General guidelines suggest a 30- to 45-degree angle from the prime listening position to the left and right front speakers, which is particularly for good stereo reproduction.

Home theater positioning can mimic the above recommendations. However, try to keep the left and right front speakers within two or three feet of the edge of the TV screen.

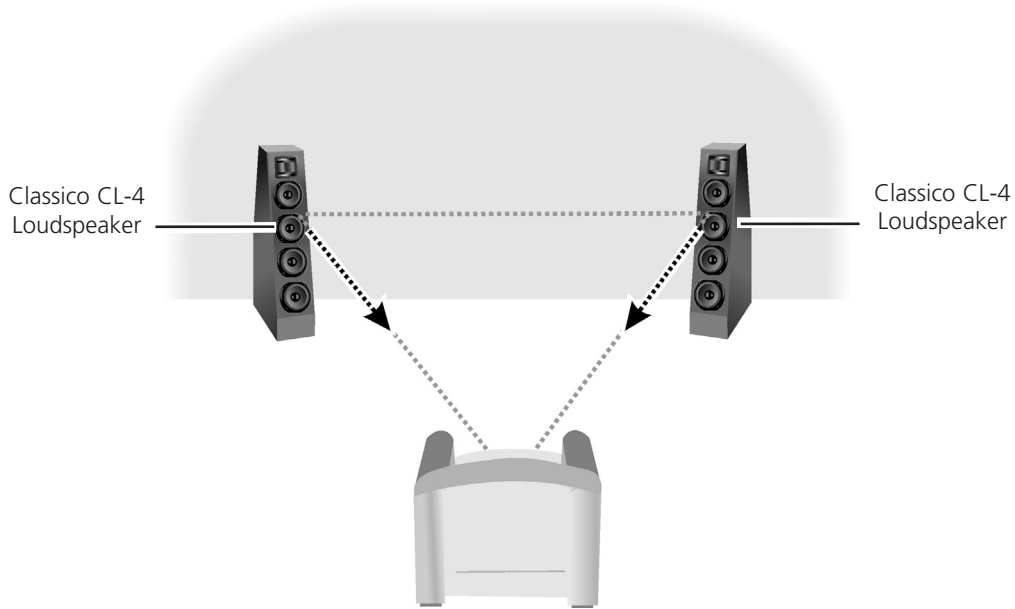


Figure 2. Example of a Stereo (2.0 Configuration) Setup

**System Examples:** An example of a stereo (2.0 configuration) setup using two Classico CL-4s is shown in Figure 2. A stereo system with a subwoofer (2.1 configuration) setup using two Classico CL-4s and a Classico subwoofer is shown in Figure 3.

An example of a surround sound with subwoofer (5.1 configuration) setup using two CL-4s, one table-mounted CL-C center loudspeaker, two wall mounted CL-2s for the primary surround channels, and a Classico subwoofer is shown in Figure 4.



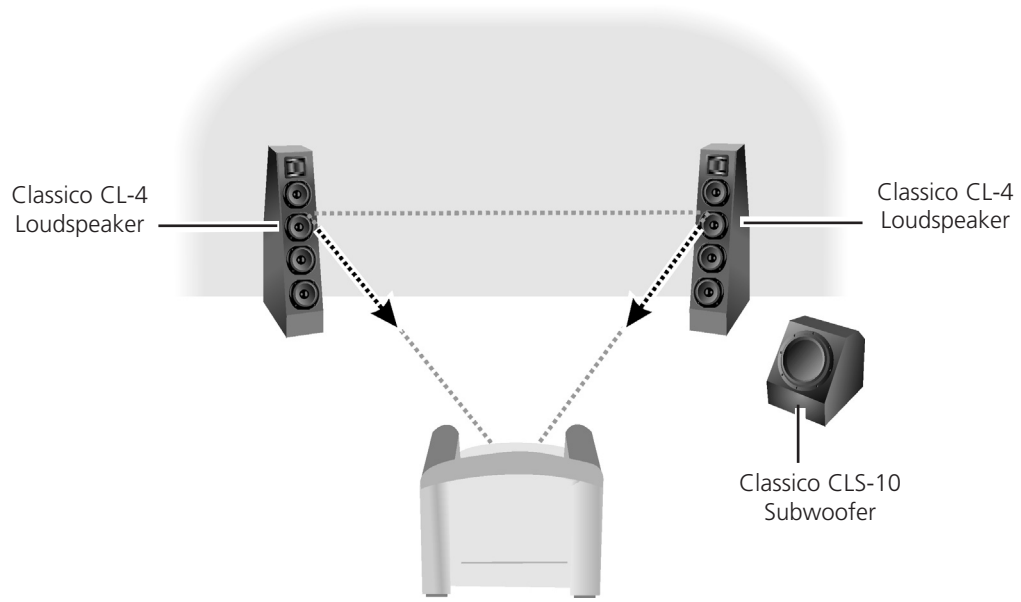


Figure 3. Example of a Stereo with Subwoofer (2.1 Configuration) Setup

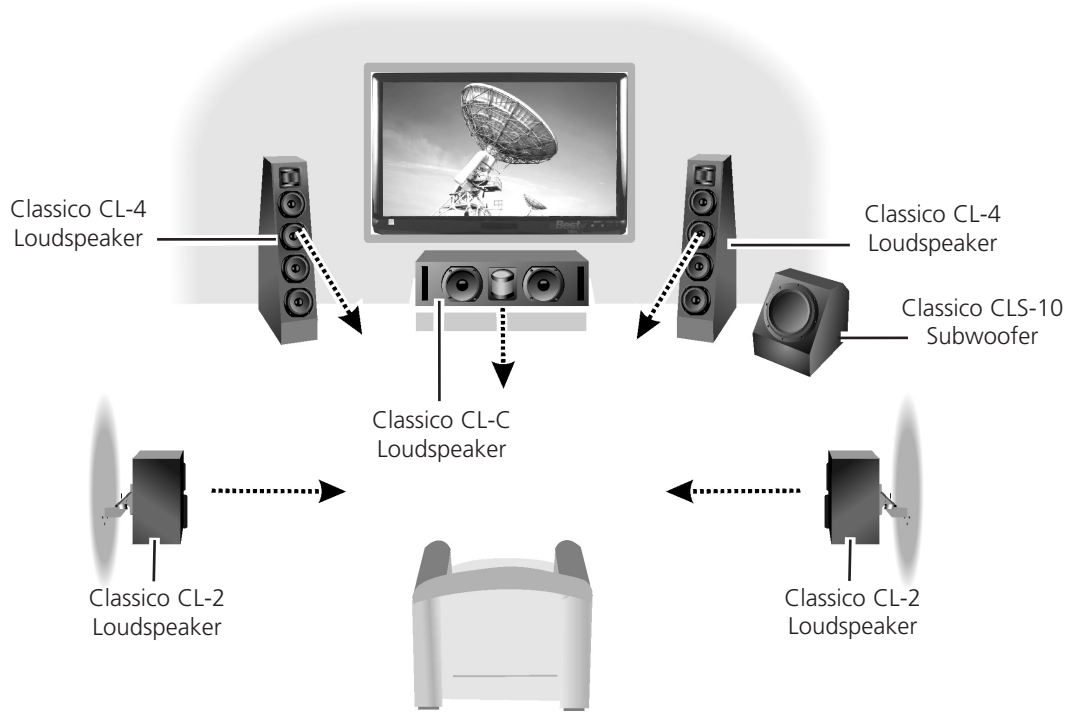


Figure 4. Example of a Surround Sound (5.1 Configuration) Setup

# Installation

## Unpacking and Inspection

Each Classico CL-4 and its accompanying owners' manual are packaged together in a single carton. Carefully inspect them immediately after unpacking. If you note any concerns or shipping damage, please contact your dealer. Do not install or use your CL-4s if they appear to be damaged.

## Additional Items Required for Installation

The following additional items are required when installing your Classico CL-4s and connecting them to your system:

<b>Item</b>	<b>Description</b>
Connecting Wire	AGA recommends high-quality 18-ga. or larger connecting cables. There are several high-quality speaker wires available, and you can discuss the possibilities with your AGA dealer.
Adjustable Wrench	A small adjustable wrench should be used to <i>carefully</i> tighten the speaker connections.

## Attaching the Grilles

The Classico Series grilles are held on to the speakers by magnets imbedded in the baffle itself. Simply place the grilles carefully in position and they will "latch on" to the speakers. If critical listening is your thing, you'll find a slight improvement in the speaker's performance with the grilles removed.

## Connecting Your Classico CL-4s

**Caution:** Failure to turn off the receiver or amplifier and unplug it from the power outlet before connecting your speakers may cause damage to your system. You should always turn the receiver or amplifier off before making or changing any connections.

Connect the positive (+) (red) and negative (-) (black) terminals of each speaker to the corresponding positive (+) and negative (-) speaker terminals on your receiver or amplifier.

**Note:** Be sure to maintain proper phasing by connecting the positive terminal on the amplifier/receiver to the positive terminal on each speaker. DO NOT REVERSE ANY OF THE CONNECTIONS. If you do, that speaker will be out of phase with the other speakers, resulting in reduced bass, lack of imaging, and harsh midrange sound.

# Speaker Settings in a Surround Sound Receiver or Processor

If you are using a contemporary surround sound receiver or processor, you'll need to set the speaker parameters properly to maximize your system's performance. After your speakers are properly connected, turn on the receiver or processor, enter the setup menu, and navigate to the speaker settings menu. Adjust the speaker settings as follows:

## Surround Sound Receiver or Processor Speaker Settings

**Speaker Size:** Assuming you're using a subwoofer, set the Classico CL-4s to *Small*. If *Small* isn't a choice, check the electronics owners manual and find the setting that removes the deep bass from the speakers. The *Small* setting also guarantees the least amount of risk to the loudspeakers of being overdriven and/or damaged. This is the setting that you'll want if maximum output capability and bass control is a priority.

Even though the Classico CL-4 is capable of good bass performance, the quantity and dynamics of many bass special effects in soundtracks can be extremely demanding. Additionally, in many rooms the ideal location for the front left and right speakers is not ideal for (sub)woofer placement. Therefore, an external subwoofer may be best for surround sound systems even if the left and right speakers can deliver relatively deep bass like the Classico CL-4.

**Crossover Frequency:** If the electronics allow you to choose the crossover frequency for the speakers, start between 60 and 80 Hz for your Classico CL-4s. Listen to well-recorded information with good bass content and evaluate the deep bass, mid-bass, and the transition between the CL-4s and the subwoofer with different crossover frequency settings.

You may want to try experimenting with various crossover frequencies (within the range of 80 Hz to 50 Hz) to get the best sonics and dynamics in your room. We recommend keeping the system crossover below 80 Hz, unless you are using an AGA CLS-10 or CLS-12 subwoofer. Both of these sub models utilize our proprietary BLAST system and have been specifically developed to reproduce accurate bass frequencies as high as 200 Hz. The implementation of higher crossover frequencies is usually associated with muddy sound and a lack of system integration, which leads to severely limited subwoofer placement options.

**Note:** The right balance of bass for music generally isn't satisfying for movie special effects. So you may want to set one bass level on the sub or in the receiver/processor for movies and a setting with a little less bass for music (try reducing the sub output by 1 to 2 dB for music, to start).

**Note:** Always follow the instruction manual for your surround sound receiver or processor when adjusting speaker settings.

**Advanced Connection:** If you are an experienced listener, you should try connecting the Front Left and Right speakers with the polarity reversed. [i.e., positive (+) (red) on Amp to negative (-) (black) on Speaker, and negative (-) (black) on Amp to positive (+) (red) on Speaker]. Listen closely to the differences from the standard polarity hook-up, as this reverse polarity variable in the system can yield significant performance gains with a reversed polarity setup. Once you have determined which connection option sounds best, *continue connecting all of the other system speakers with the same polarity.*

**Note:** If you do decide to use a "reversed" polarity scheme, be certain that the subwoofer phase is set to 180 degrees instead of 0 degrees.

## Breaking in Your CL-4s

Your new Gallo loudspeakers require a short period of operating time (a “break-in” period) to develop their full sound potential. The break-in period requires approximately 50 hours of operation, although you can expect to hear a marked increase in performance within the first 20 hours. If possible, experiment with placement of your loudspeakers after these first 20 hours of operation (in particular, proximity of the speakers to walls and placement of the subwoofer) to try and achieve the best balance of sound and bass performance over the broadest listening area. If you're using a Classico subwoofer, please see the section “Subwoofer Placement Recommendations” in its owners manual.

Enjoy!

You'll enjoy a sonic experience that goes beyond simple reproduction and envelopes the listener within a fully engaging audio experience. Many AGA customers have told us that using our products often result in a deeply involving, even emotional experience. So now that you've been so diligent to read through this manual sit back and experience what we at Gallo strive for, nothing but complete excellence.

## Classico CL-4 Specifications

Frequency Response	26 Hz – 22 kHz $\pm$ 3 dB in-room
Impedance	4 Ohms, nominal
Sensitivity	92 dB at 2.83 volts, 1 meter
Power Handling	350 watts undistorted amplifier power
Minimum Suggested Power	15 watts RMS
Tweeter	CDT 3 Cylindrical Diaphragm Transducer, 180° horizontal dispersion
Woofer	Four 5.25-inch moving coil polymer damped carbon fiber
Internal Crossover	None required
Enclosure Type	BLAST Transmission Line using patented S2 bass loading
Enclosure Composition	3/4-inch internally braced MDF
Finishes	Genuine cherry or ash veneers, dark cherry or black ash finish
Connections	Custom Gallo 5-way gold-plated binding posts
Dimensions	Width: 7.0 in. (17.8 cm) Height: 35.0 in. (88.9 cm) Depth: Footprint 14.0 in. (35.6 cm) Maximum depth 16.0 in. (40.6 cm) without grill
Weight	33.0 lbs. (15.0 kg)

Warranty - One year parts and labor. Five years if product is registered within 60 days of purchase and with all documentation.\*

\* Documentation is necessary for us to determine the purchase authenticity of all AGA products.

\* **AGA does not authorize any online reseller of any type to sell our products, except our own site, [www.roundsound.com](http://www.roundsound.com). If purchased from an un-authorized online reseller, there will be no support or warranty service provided for products purchased.**



## Warranty and Extended Service Agreement

AGA speakers are covered by a one-year Limited Warranty against defects in workmanship and manufacturing. In addition, we offer registered Gallo owners a free four-year Extended Service Agreement.

In order to qualify for the Extended Service Agreement you must fill out and return the warranty card or register on our web site: [www.roundsound.com/product-registration.php](http://www.roundsound.com/product-registration.php). This will establish your ownership and activate the free four-year Extended Service Agreement for your speakers. When you enter the information, you will need the serial number of each speaker. The serial numbers are located on the label at the rear of each speaker.

The one-year warranty is valid for the original purchaser only and is not transferable or assignable. The Extended Service Agreement is also only valid for the original registered purchaser.

### **Statement of Warranty: Anthony Gallo Acoustics Limited Warranty**

You must purchase Anthony Gallo Acoustics products from an authorized AGA Dealer, [www.roundsound.com](http://www.roundsound.com), or an authorized AGA Distributor in order to qualify for warranty service and be eligible to receive the four-year Extended Service Agreement. If you purchased your product from any other source, your product(s) warranty is void and you are not eligible for the Extended Service Agreement.

Anthony Gallo Acoustics warrants this product to be free from defects in materials and workmanship under the specified terms stated above. Anthony Gallo Acoustics will, at its option, repair or replace this product and/or any parts proven to be defective in materials or manufacture. The original sales invoice must be presented along with the request for warranty repair by the original owner and the product must be registered with Anthony Gallo Acoustics in order to verify ownership.

Terms of the Extended Service Agreement are the same as those within this warranty policy.

This warranty and the Extended Service Agreement will be void if:

1. The defect is a result of abuse, misuse, damage in transit, defective associated equipment, faulty installation, the use of the unit with equipment for which it was not intended, or acts of God.
2. The unit has been operated contrary to instructions contained in this Owner's Manual.
3. The unit has been serviced by unauthorized personnel.

## Service

If your speakers require repair:

1. Please contact the authorized local Anthony Gallo Acoustics dealer from whom the product was originally purchased. It is necessary to have the original sales receipt available to confirm warranty eligibility.
2. If it is impractical or impossible to contact your original dealer, refer to the Dealer Locator section found on [www.roundsound.com](http://www.roundsound.com). Locate your nearest authorized dealer and contact the dealer to arrange for service. Most AGA dealers can help you with problems and repairs. If this is not the case please contact us directly. In the USA you can contact AGA directly at 1-818-341-4488.
3. If you choose to, you can send your product to Anthony Gallo Acoustics Factory Service. Carefully pack the product in its original carton, obtain a Return Authorization as detailed below and ship it to our service center. A copy of your receipt will be necessary to confirm ownership and warranty status. Please call the service center for an RA#. Have available a description of the problem you are experiencing, your return address, and daytime phone number. We suggest you choose a carrier that provides parcel tracking and be sure to insure the shipment for replacement value.

It is very important that you fill out the Warranty Information on the back of this card and return it to us. Or, go to [www.roundsound.com/product-registration.php](http://www.roundsound.com/product-registration.php) and register. This will ensure that you are eligible for our free four-year Extended Service Agreement.



Place  
Stamp  
Here

**Anthony Gallo Acoustics**  
**20841 Prairie Street**  
**Chatsworth, CA 91311 USA**

Name:	Classico CL-4 Serial #		
Address:			
City:	State:	Zip:	
Telephone:	Email:		

Where did you first hear about the Classico CL-4?

- Magazine       Web       Dealer       Other

How influential was your dealer in your decision to purchase the Classico CL-4?

- Very       Somewhat       Not At All

What type of system did you purchase?

- Stereo       Home Theatre

What other speakers did you listen to before choosing Classico CL-4s? \_\_\_\_\_

What is the name and address of your Gallo Acoustics dealer? \_\_\_\_\_

Please rate the following as:

	Excellent	Very Good	Good	Fair	Poor
Appearance					
Build Quality					
Size					
Sound Quality					
Ease of Set Up					
Mounting Options					
Esthetic Design					
Owners Manual					