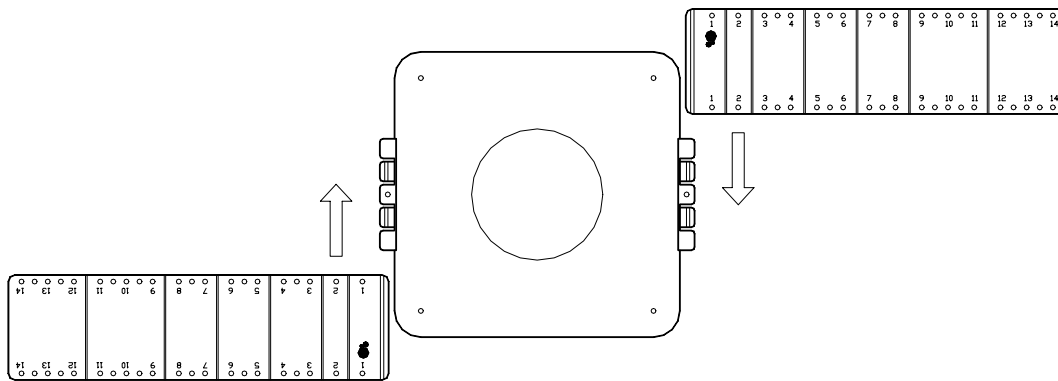


## Micro & A'Diva Pre-Construction Kit

This pre-construction kit allows for easy set up following the installation of the drywall. To use this kit you must find an unobstructed section of a wall or ceiling stud bay. Try to keep the center hole of the main plate at a minimum of 1" away from a stud. This is to allow the dog-ears of the finish bracket room to function. We have also included screw holes on the main plate for other installation possibilities.

To install, simply slide the pre-measured side wings into the center section until they snap into place. These straps should be installed with the measured break lines facing down. The protruding circular lip on the speaker installation plate should also face down or out so the drywall can butt up against it.



After inserting the side wings into the connection tabs of the main installation plate the straps can be laid across the studs and screwed in to secure them to the wall or ceiling joists. We highly recommend using screws instead of nails so if any corrections are required they can be easily removed. Once you find an acceptable attachment position the scored wing sections can be snapped off to remove excess material. To smooth out and finish the area around the final installation opening, plaster mix can be added following the attachment of drywall.

